

NOTES:

REVISION HISTORY

REV	DATE	DESCRIPTION	ECO	BY
A	03-14-08	PRODUCTION RELEASE	11847	FJM
B	06-03-09	REPLACE P/N 120-3243 WITH 120-3244	12195	AK

CLASS OF WORK	FINE	MEDIUM	COARSE	VERY COARSE
			X	

UNLESS OTHERWISE SPECIFIED DIMS ARE IN mm. TOLERANCES FOR MEASURE OF LENGTH ARE: ANGLES ±2°	0.5 to 3	±0.05	±0.1	±0.2	-----
	> 3 to 6	±0.05	±0.1	±0.3	±0.5
	> 6 to 30	±0.1	±0.2	±0.5	±1
	> 30 to 120	±0.15	±0.3	±0.8	±1.5
	> 120 to 400	±0.2	±0.5	±1.2	±2.5
	> 400 to 1000	±0.3	±0.8	±2	±4
	> 1000 to 2000	±0.5	±1.2	±3	±6
> 2000	-----	±2	±4	±8	

**DOCUMENT STATUS:
RELEASE**

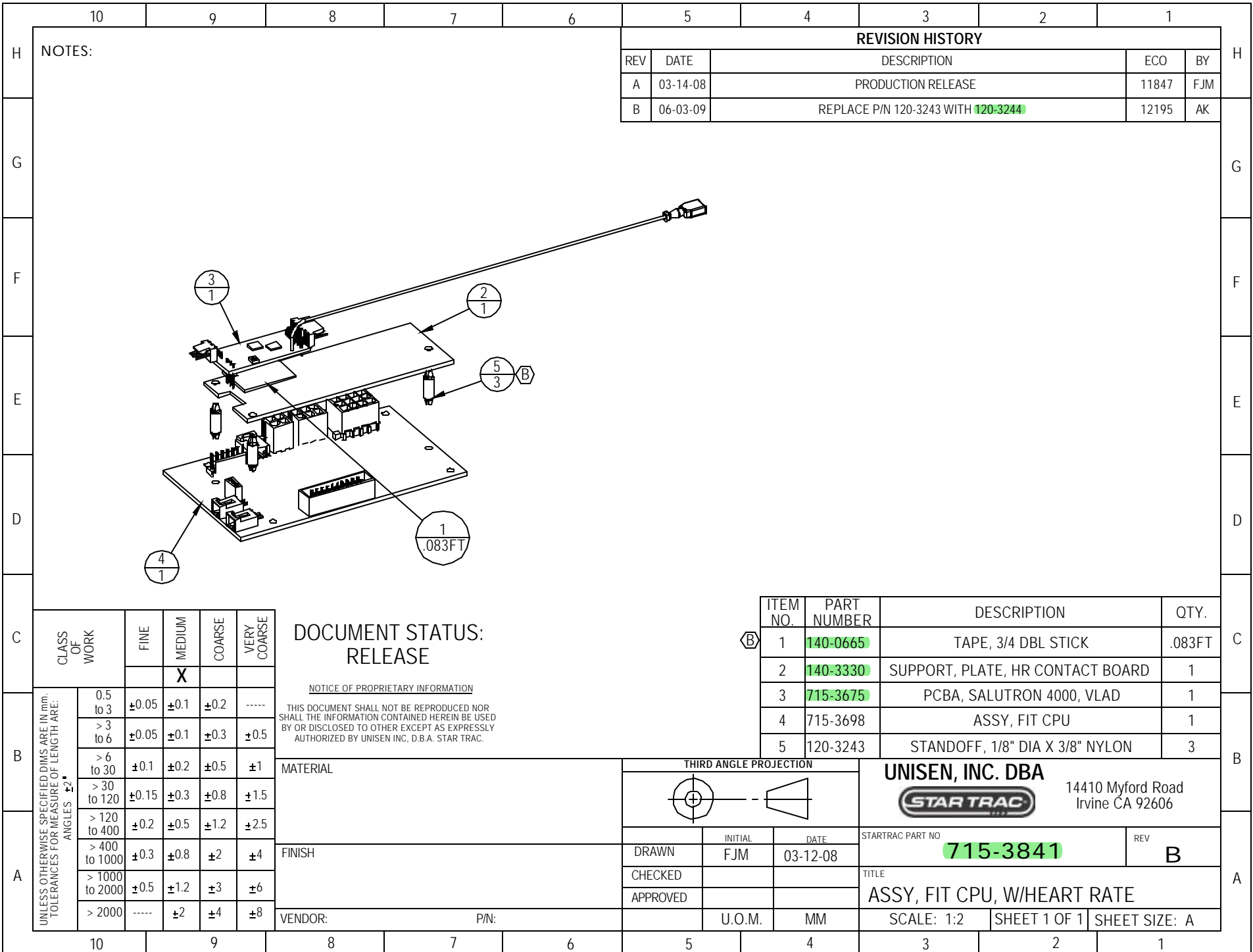
NOTICE OF PROPRIETARY INFORMATION
THIS DOCUMENT SHALL NOT BE REPRODUCED NOR SHALL THE INFORMATION CONTAINED HEREIN BE USED BY OR DISCLOSED TO OTHER EXCEPT AS EXPRESSLY AUTHORIZED BY UNISEN INC, D.B.A. STAR TRAC.

ITEM NO.	PART NUMBER	DESCRIPTION	QTY.
1	140-0665	TAPE, 3/4 DBL STICK	.083FT
2	140-3330	SUPPORT, PLATE, HR CONTACT BOARD	1
3	715-3675	PCBA, SALUTRON 4000, VLAD	1
4	715-3698	ASSY, FIT CPU	1
5	120-3243	STANDOFF, 1/8" DIA X 3/8" NYLON	3

MATERIAL	THIRD ANGLE PROJECTION		
FINISH	DRAWN	INITIAL	DATE
VENDOR:		FJM	03-12-08
P/N:	U.O.M.	MM	SCALE: 1:2

14410 Myford Road
Irvine CA 92606

STARTRAC PART NO	715-3841	REV	B
TITLE ASSY, FIT CPU, W/HEART RATE			
SHEET 1 OF 1		SHEET SIZE: A	



NOTES:

REVISION HISTORY

REV	DATE	DESCRIPTION	ECO	BY
A	03-14-08	PRODUCTION RELEASE	11847	FJM
B	06-03-09	REPLACE P/N 120-3243 WITH 120-3244	12195	AK

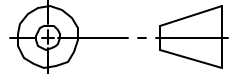
CLASS OF WORK	FINE	MEDIUM	COARSE	VERY COARSE
			X	

UNLESS OTHERWISE SPECIFIED DIMS ARE IN mm. TOLERANCES FOR MEASURE OF LENGTH ARE: ANGLES ±2°	0.5 to 3	±0.05	±0.1	±0.2	-----
	> 3 to 6	±0.05	±0.1	±0.3	±0.5
	> 6 to 30	±0.1	±0.2	±0.5	±1
	> 30 to 120	±0.15	±0.3	±0.8	±1.5
	> 120 to 400	±0.2	±0.5	±1.2	±2.5
	> 400 to 1000	±0.3	±0.8	±2	±4
	> 1000 to 2000	±0.5	±1.2	±3	±6
	> 2000	-----	±2	±4	±8

**DOCUMENT STATUS:
RELEASE**

NOTICE OF PROPRIETARY INFORMATION
THIS DOCUMENT SHALL NOT BE REPRODUCED NOR SHALL THE INFORMATION CONTAINED HEREIN BE USED BY OR DISCLOSED TO OTHER EXCEPT AS EXPRESSLY AUTHORIZED BY UNISEN INC, D.B.A. STAR TRAC.

MATERIAL	THIRD ANGLE PROJECTION		
FINISH	DRAWN	INITIAL	DATE
VENDOR:	P/N:	U.O.M.	MM



ITEM NO.	PART NUMBER	DESCRIPTION	QTY.
1	140-0665	TAPE, 3/4 DBL STICK	.083FT
2	140-3330	SUPPORT, PLATE, HR CONTACT BOARD	1
3	715-3675	PCBA, SALUTRON 4000, VLAD	1
4	715-3698	ASSY, FIT CPU	1
5	120-3243	STANDOFF, 1/8" DIA X 3/8" NYLON	3

UNISEN, INC. DBA

 14410 Myford Road
 Irvine CA 92606

STARTRAC PART NO	715-3841	REV	B
TITLE ASSY, FIT CPU, W/HEART RATE			
SCALE: 1:2	SHEET 1 OF 1	SHEET SIZE: A	